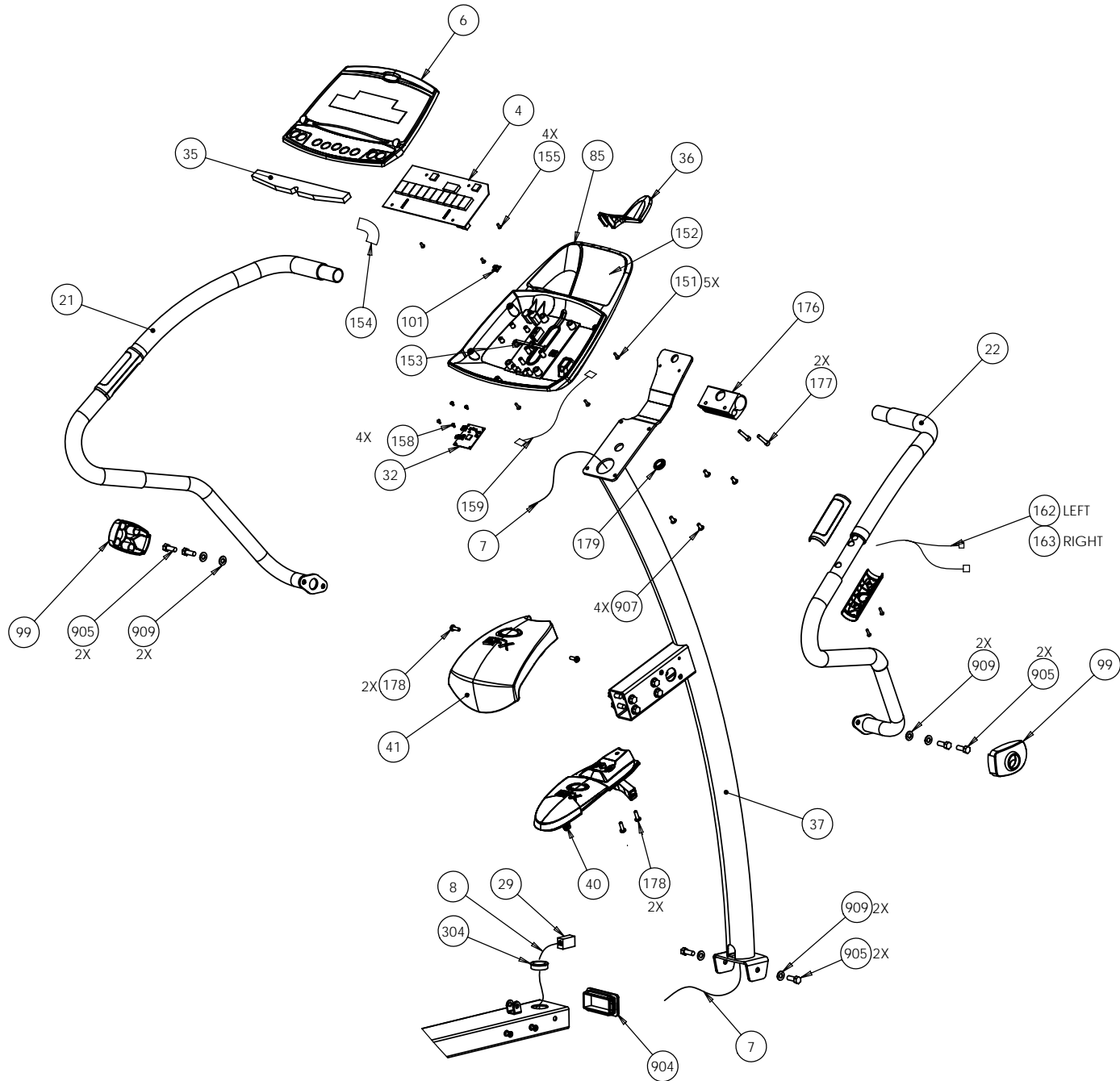
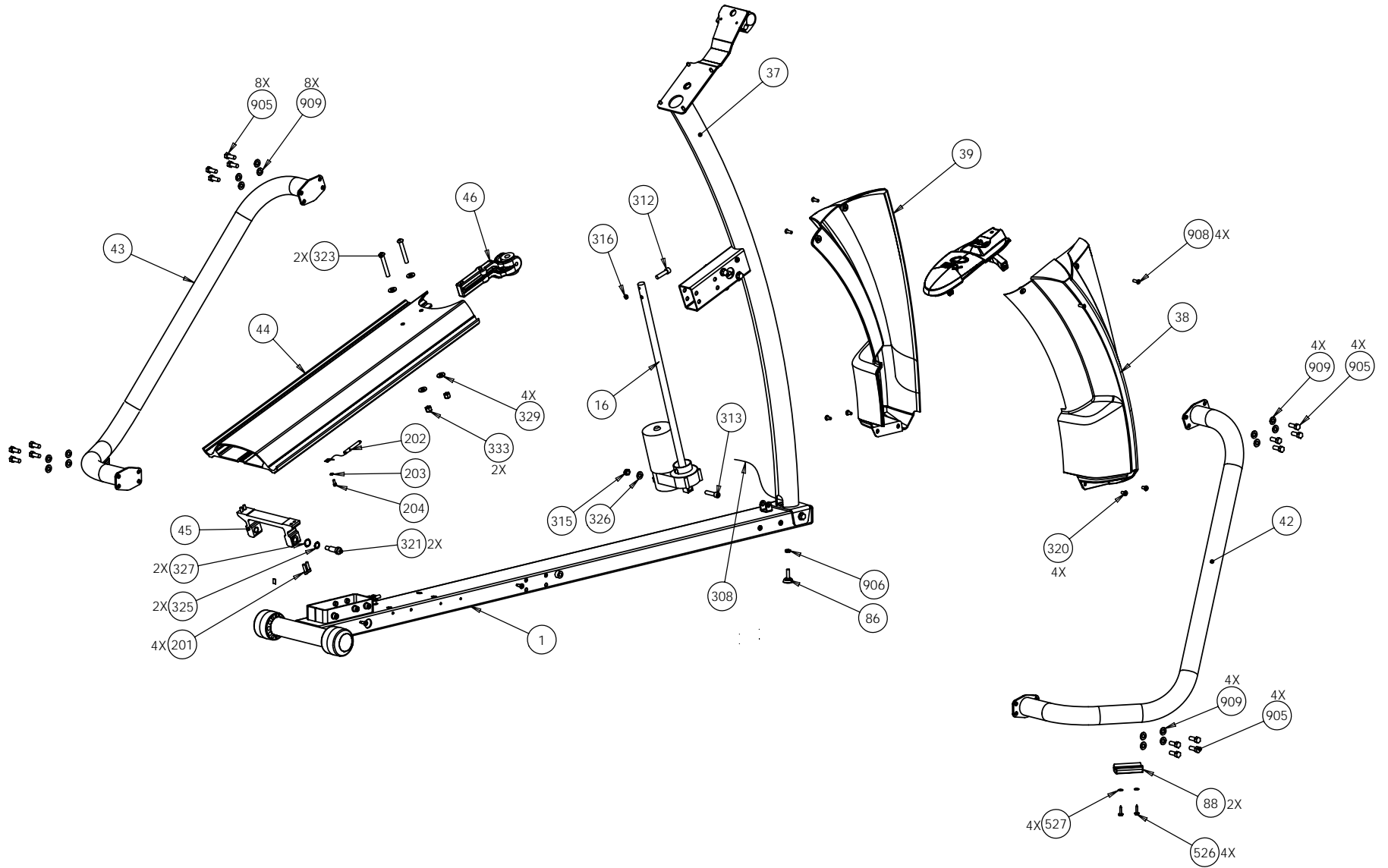
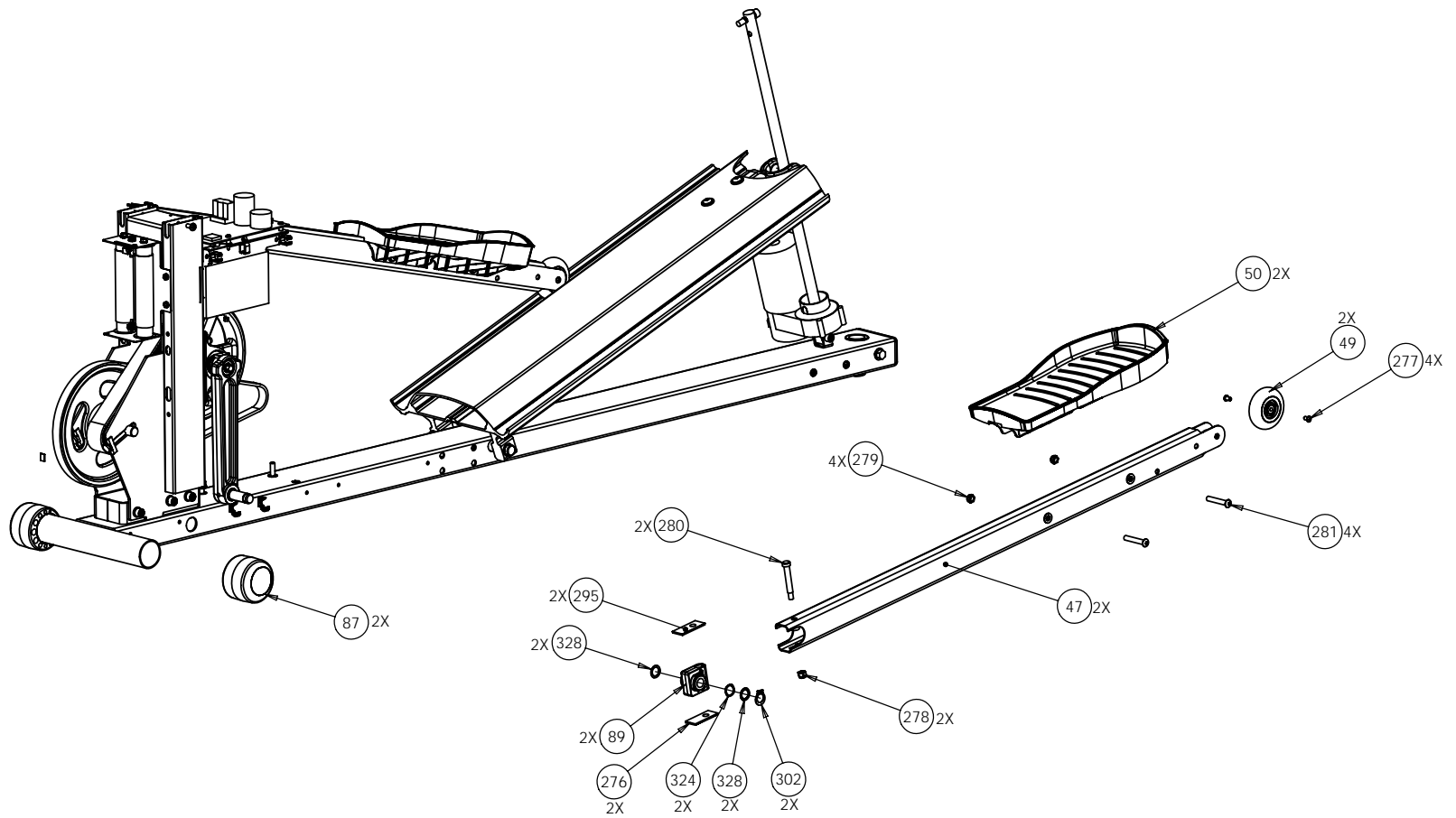
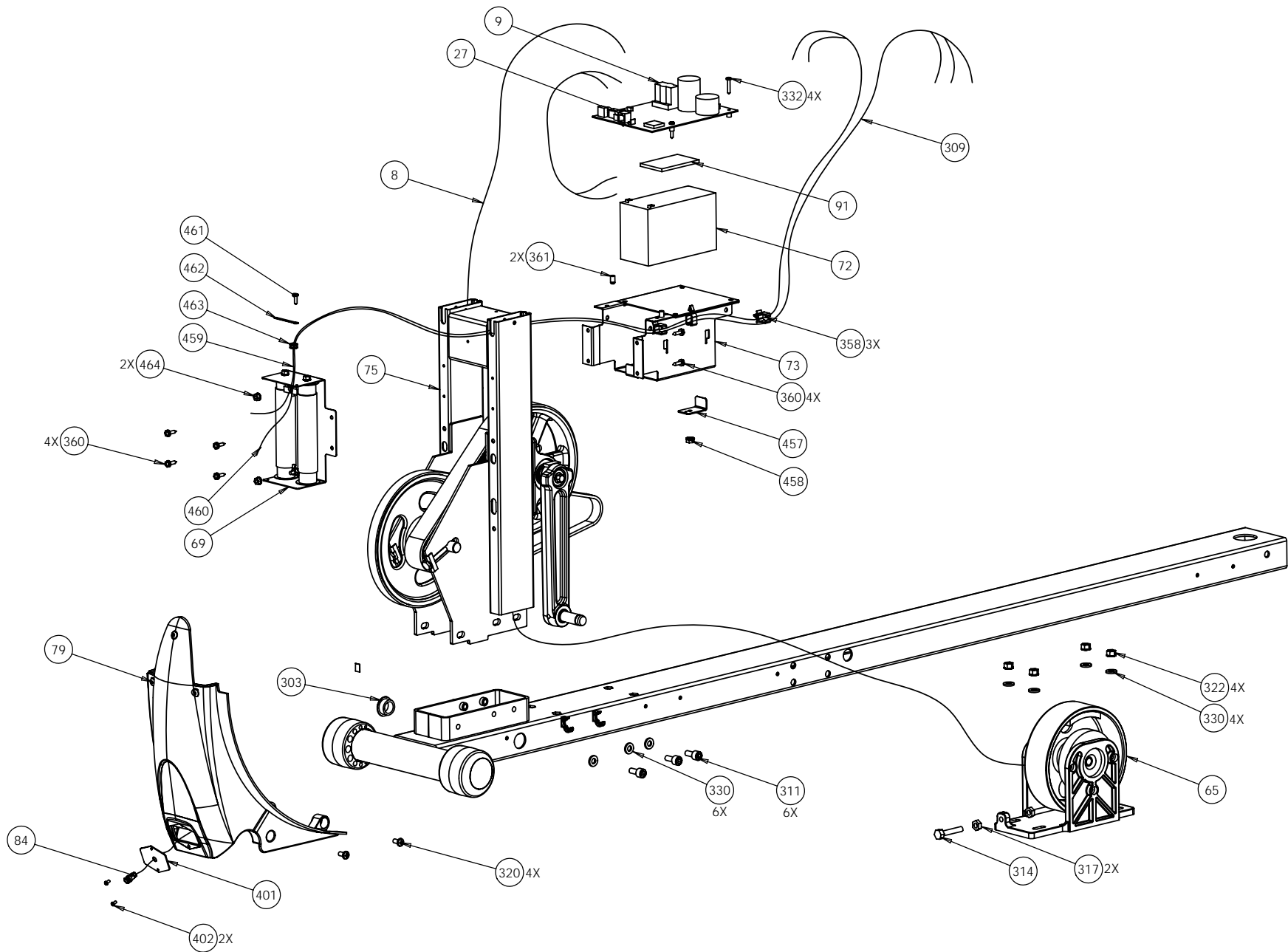


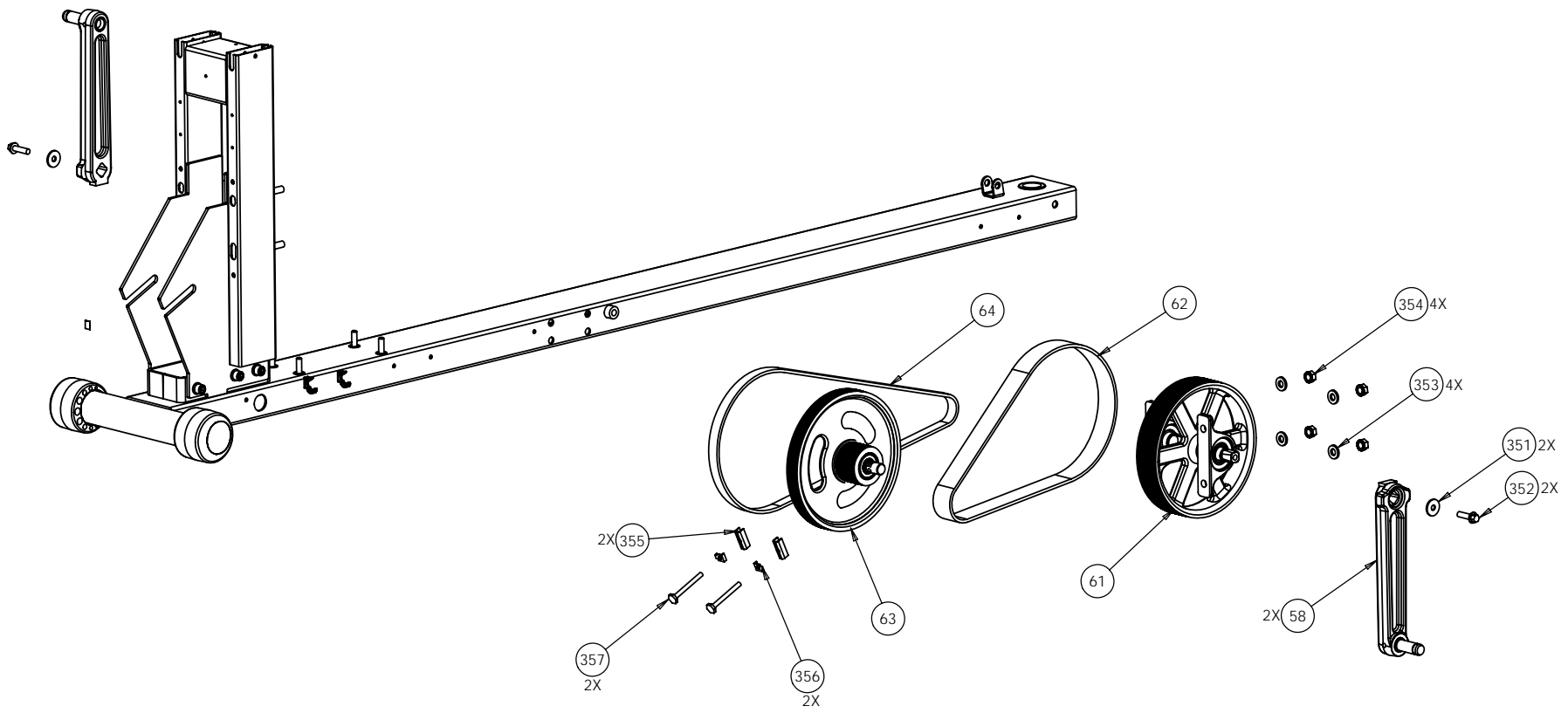
C524I	P/N : 49490-101	SUBREV : C
DRAWN BY : C THOMSON	DATE : 08.01.07	SHEET 1 OF 7

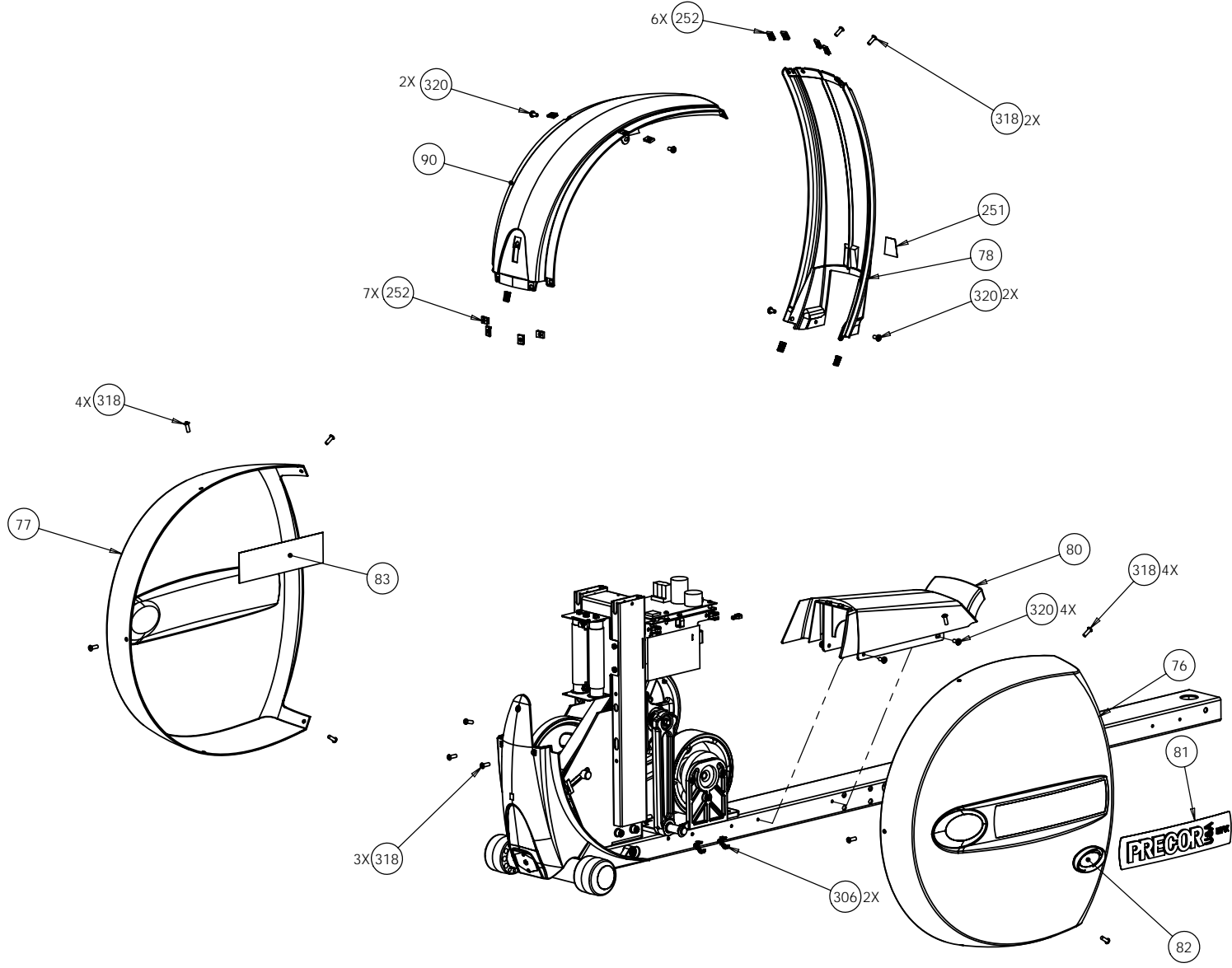












C524i (serial code A928)		
Part Number	Description	Bubble Number
PPP000000045352102	WLDMT, LWR FRM, VERT EFX, THD, PT	1
PPP000000045392405	PCA, DISPLAY, T3	4
PPP000000048015101	ASSY, DISPLAY, TOUCHSENSOR, C524I T	6
PPP000000044905084	ASSY,CBL,MOD,8P8C,1-1,84"	7
PPP000000044905108	ASSY,CBL,MOD,8P8C,1-1,108"	8
PPP000000048246102	ASSY, LOWER PCA & SW, C524I SP, 6-P	9
PPP000000045146203	ACTUATOR, LIFT,SELF POWERED EFX, W/	16
PPP000000049223101	WELDMENT, HANDLEBAR, LEFT	21
PPP000000049224101	ASSY, HANDLEBAR, LEFT,5.23,HHHR, W/	21
PPP000000049463101	ASSY, HANDLEBAR, LEFT,5.23,HHHR,WO	21
PPP000000049223102	WELDMENT, HANDLEBAR, RIGHT	22
PPP000000049224102	ASSY, HANDLEBAR, RIGHT,5.23,HHHR, W	22
PPP000000049463102	ASSY, HANDLEBAR, RIGHT,5.23,HHHR,WO	22
PPP000000048244211	CPU, PGMD, EFX C524I, SELF POWER 6-	27
PPP000000011415102	COUPLER,MOD,8P8C,INLINE,SNAP-IN	29
PPP000000043579108	ASSY BOARD, CHR, CONTACT PRIORITY/	32
PPP000000042713102	HHHR SENSOR, TOP	33
PPP000000042714102	HHHR SENSOR, BOTTOM	34
PPP000000045082101	TOUCH SENSOR SHIELD,9 KEY	35
PPP000000043329102	WIRE FORM,PLASTIC,COMMERCIAL	36
PPP000000044487102	WELDMENT, ARC TUBE, THREADED, PAIN	37
PPP000000044379102	COVER,FRONT,RIGHT,STONE GRAY	38
PPP000000044454102	COVER, FRONT, LEFT, STONE GRAY	39
PPP000000044555103	ASSY, EFX COVER, FRONT, TOP, STONE	40
PPP000000044384102	COVER, UPPER MOUNT, RETAIL EFX, STO	41
PPP000000044318106	WELDMENT, MAIN TUBE, RIGHT, RETAIL	42
PPP000000044318105	WELDMENT, MAIN TUBE, LEFT, RETAIL E	43
PPP000000045400102	ASSY, RAMP, C524	44
PPP000000044333103	ASSY, RAMP, LIFT BRKT, RETAIL EFX	45
PPP000000045517103	ASSY, LIFT NUT AND YOKE	46
PPP000000044344206	STAIRARM RAIL,5.23 EFX,PT	47
PPP000000048337101	ASSY, STAIRARM WHEEL, CONSUMER EFX,	49
PPP000000037314108	PEDAL, FOOT	50
PPP000000044363103	ASSEMBLY, CRANK ARM, RETAIL, W/PRES	58
PPP000000045976101	ASSEMBLY, DRIVE INPUT,17:1 DRIVE, E	61

PPP00000010217138	BELT, DRIVE, 360J16 POLY V	62
PPP000000045974101	ASSY,STEP-UP,17:1 DRIVE,EFX	63
PPP000000010217139	BELT, DRIVE, 460J8 POLY V	64
PPP000000050592102	RETROKIT ADAPTOR CABLE/GENERATOR	65
PPP000000039700101	ASSEMBLY, RESISTOR, 240W	69
PPP000000045970101	ASSY, BATTERY W/CABLE,SLA,12V,7AH,.	72
PPP000000045908105	BRACKET, BATTERY, LARGE, SELF POWER	73
PPP000000044940101	ASSY,DRIVE WELDMT,SP EFX	75
PPP000000044527109	ASSY, EFX COVER, RIGHT SIDE	76
PPP000000044527111	ASSY, EFX COVER, LEFT SIDE, SP	77
PPP000000044479102	ASSY, FRONT PANEL, EFX COVER, REAR,	78
PPP000000043707103	SUPPORT, REAR COVER,STONE GRAY	79
PPP000000043840102	WEDGE, REAR COVER, EFX,STONE GRAY	80
PPP000000047347101	LABEL, EFX COVER, REAR, STONE GREY	81
PPP000000047355101	LABEL, EFX LOGO, REAR COVER, DURO-L	82
PPP000000047983101	LABEL, WIRING DIAGRAM, C524I/C534I,	83
PPP000000045252035	ASSY,CBL,2C,PWR JACK/.08 RECP,35"	84
PPP000000043179104	BACKPLATE, DISPLAY, COMMERCIAL ,STO	85
PPP000000011406103	FOOT, LEVELER, RUBBER BASE, 1.5"LG	86
PPP000000044916102	FOOT, ADJUSTABLE, (TAIWAN)	87
PPP000000037535102	FOOT, FIXED	88
PPP000000038301101	ASSY,PIVOT BLOCK	89
PPP000000044480103	ASSY, TOP PANEL, EFX COVER, REAR	90
PPP000000011075110	FUSE,6.30A,250VAC,SLOW,RADIAL	95
PPP000000044673101	COVER, HANDLEBAR, 5.23	99
PPP000000012264101	RJ-45 TELEPHONE JACK PLUG	101
PPP00000PMTN016050	SCREW,TCS,#8X1/2,PHIL,BLK SHARPERIZ	151
PPP000000047947101	LABEL, ACCESSORY TRAY,EN, C524I, ST	152
PPP000000045696032	ASSY,CBL,FFC,12COND,28AWG,3.2"	154
PPP00000MGCN016038	SCREW,MCH,8-32X3/8,PANHD,PHIL,	155
PPP00000MGCN013025	SCREW,MCH,6-32X1/4,PANHD,PHIL,	158
PPP000000049341013	ASSY,CBL,HHR TO DISPLAY,HP/FERRITE	159
PPP000000010115113	O-RING, ROUND, 1.25ID X .139	160
PPP000000010123102	CABLE TIE, 3-7/8 LONG,WHITE,NYL	160
PPP00000TCNN016075	SCREW, BTHD, 8-32X.75,SS	161
PPP000000047108033	ASSY,CABLE,HHR LEFT GRIP,W/SHIELD,	162
PPP000000047109033	ASSY,CABLE,HHR RIGHT GRIP,W/SHIELD	163

PPP00000048929210	GRIP, HANDLEBAR, EXTRUDED VINYL, 21	165
PPP00000037499103	CLAMP, HANDLEBAR,BLACK, PT	176
PPP00000CATN025125	SCREW,SKHD,1/4-20X1.25,BLK SHARPERI	177
PPP00000PNTN025075	SCREW,PANHD,PHIL,TYPEF,1/4-20X.75,B	178
PPP000000047718102	HOLE PLUG, PLASTIC .875 X.13-.18	179
PPP000000044495101	KIT, HARDWARE, THREADED, 5.23	200
PPP00000CATN025088	SCREW,SKHD,1/4-20X7/8,BLK SHARPERIZ	201
PPP000000011476102	PIN, RING, LOCKOUT	202
PPP00000WATNN020002	WASHER, LK-INT, #10, ID=.200,	203
PPP00000CBTN019050	SCREW,SKHD,#10X32X0.50,BLK SHRPRZD	204
PPP0000000047546101	LABEL, CAUTION	251
PPP0000000010136103	CLIP,U TYPE, TINNERMAN, 1/4-20	252
PPP0000000048340101	SPACER, RAIL, URETHANE	276
PPP00000TENE006010	SCREW,BTTNHD,SKT C/S,M6X1X10MM	277
PPP00000KDTN031025	LOCKNUT, FULL, 5/16-18,BLK SHARPERI	278
PPP00000KATN031016	LOCKNUT,HALF, 5/16-18,BLK SHARPERIZ	279
PPP00000RANN031200	SCREW,SHLD,5/16 X 2,HEXSC	280
PPP00000HATN031200	SCREW, HEX HD, 5/16-18 X 2, BLK SHA	281
PPP00000WEGN031007	WASHER, FLT, 5/16X.688X.065,SS, BLK	284
PPP000000048340102	SPACER, RAIL ,URETHANE, RED	295
PPP00000AAHN063003	RING, RETAINER, 5/8, EXTERNAL	302
PPP000000010178107	BUSHING, SNAP	303
PPP000000010178112	BUSHING, SNAP	304
PPP000000011311101	ENDCAP, REC TUBE, BLACK PLASTIC, 50	304
PPP000000012515101	CLAMP, CABLE, BLACK, RELEASABLE ON	306
PPP000000045205102	ASSY,CBL,18AWG,6P5C,MINI-FIT,102"	308
PPP000000047095042	ASSY,CBL,22AWG,6P6C TO 8P6C,MINI-FI	309
PPP00000CATN031075	SCREW,SKHD,5/16-18X0.75,BLK SHARPER	311
PPP00000CBTN016100	SCREW,SKHD,8-32X1,BLK SHARPERIZED	312
PPP00000CCGN038150	SCREW,SKHD,3/8-16X1.50,BLK OXIDE	313
PPP00000HJCN031175	SCREW,HEX,5/16-18X1.75 ,ZINC,FULLY	314
PPP00000KACN038015	LOCKNUT,HALF,3/8-16,ZN	315
PPP00000KECN016019	LOCKNUT, FULL 8-32, ZINC	316
PPP00000KMCN031023	NUT, HEX, 5/16-18, ZINC	317
PPP00000TFTN025075	SCREW,BTHD,1/4-20X3/4,BLK SHARPERIZ	318
PPP00000PANTN025050	SCREW,S/T,#1/4-20X1/2,PANHD,PHIL,TR	320
PPP00000RATN038125	SCREW,SHLD,3/8 X 1-1/4,HEXSC,BLK SH	321

PPP00000KGCN031027	LOCKNUT,STARWASHER,5/16-18,1/2	322
PPP00000TCNN038275	SCREW, BTHD,3/8-16X 2.75, SS	323
PPP00000WAGNN062001	WASHER, WAVE, .87 OD X .62 ID	324
PPP00000WAGNN048001	WASHER,WAVE (SSR-0062)	325
PPP00000WBFNN047002	WASHER,MYLAR,7/16	326
PPP00000WNNN051002	WASHER,SHIM,1/2X3/4X.020THK	327
PPP00000WNNN063001	WASHER, FLT, 5/8X.880X.010	328
PPP00000WPNN038006	WASHER, FLAT, 3/8 X 1/16 THK,	329
PPP00000WRCN031009	WASHER,GRADE 8,3/8,13/32 ID,13/16OD	330
PPP00000PMTN016088	SCREW,TCS,#8X7/8,PHIL,BLK SHARPERIZ	332
PPP00000KDTN038034	LOCKNUT,FULL,3/8-16,BLK SHARPERIZED	333
PPP00000CEME005014	SCREW, SKHD, M5 X .08 X 14MM, ZN (M	345
PPP00000WNNN032009	WASHER,FLT, .321X1.00X.090 THK	351
PPP00000HTTT008018	BOLT,SHIMANO CRANK,M8X18MM, NYLK,BL	352
PPP00000WRCN038011	WASHER,GRADE 8,3/8,13/32 ID,13/16OD	353
PPP00000KGCN038033	LOCKNUT, STARWASHER, 3/8-16	354
PPP000000037385101	BRACKET, TENSIONER	355
PPP000000037855103	TAB, LOCKING	356
PPP00000HACN025250	SCREW,1/4-20X2-1/2,HEX,GR 2,ZN	357
PPP000000011278101	CABLE CLAMP,INSERT	358
PPP00000PKCN019050	SCREW,S/T,#10X1/2,WSHHXHD,ZN	360
PPP000000012289806	SPCR,SELFRETAIN,NYLN,#8(M-4),3/8"	361
PPP000000044966102	PLATE,CHARGER CONNECTOR,SP, EFX	401
PPP00000MGKN013025	SCREW,MCH,6-32X1/4,PANHD,PHIL,	402
PPP000000045909101	SPACER, BATTERY BRACKET, SELF-POWER	456
PPP000000045910101	TAB, BATTERY BRACKET, SELF-POWERED	457
PPP00000KGCN025020	LOCKNUT,STARWASHER,1/4-20,ZN	458
PPP000000047098031	ASSY,CBL, HIGH TEMP, 600V,	459
PPP000000047098027	ASSY,CBL, HIGH TEMP, 600V,	460
PPP00000PMTN016050	SCREW,TCS,#8X1/2,PHIL,BLK SHARPERIZ	461
PPP000000012103101	CLAMP,CABLE,VINYL COATED	462
PPP000000010379109	GROMMET, 49/64 OD, 1/4 ID	463
PPP00000KNCN019013	NUT,HEX,10-32,ZINC	464
PPP00000PKCN019075	SCREW,S/T,#10X.75,WSHHXHD,ZN	526
PPP00000WBCN019005	WASHER, SAE, #10, ZN	527
PPP000000010186101	WRENCH, ALLEN, 5/32	902
PPP000000010186103	WRENCH, ALLEN, 3/16	903

PPP00000HATN038100	SCREW,HEXHEAD,GRADE2,3/8-16X1,BLK S	905
PPP00000KPCN031019	NUT,HEX THIN,5/16-18,ZN	906
PPP00000MGTN025050	SCREW, PANHD, 1/4-20 X .5, BLK SHAR	907
PPP00000TFTN025075	SCREW,BTHD,1/4-20X3/4,BLK SHARPERIZ	908
PPP00000WEGN038007	WASHER, FLT, 3/8, ID=.406, SS, BLK	909
PPP000000049520101	LITERATURE KIT, C524I	999